

Technical Bulletin

Model
All

Group
8

Subject: Sealing Rings for A/C System

Part Identifier
8701

Number
9205

ATTENTION: Service Manager/Service Technician

This bulletin replaces Technical Bulletin Group 8, Number 9205, dated 8-4-92.

Models Affected:

All models

Concern:

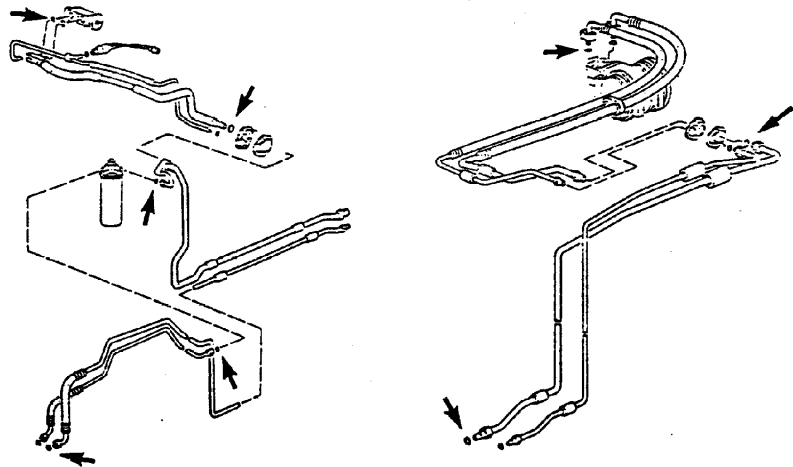
New version "o" rings for complete A/C system.

General Information:

Through parts testing, it has been determined that many of the A/C expansion valves received by warranty are not defective. Through further testing, it has been determined that the area of leakage is at the "o" rings which connect the valve to the evaporator and valve to A/C lines. These same "o" rings are used on all models throughout the entire A/C system.

The material from which the "o" rings are made has been changed. Old version "o" rings are no longer available.

EFFECTIVE IMMEDIATELY, only new version "o" rings are to be used in A/C repair procedures.



911 Carrera 2 and 4

PORSCHE CARS NORTH AMERICA INC.



Technical Bulletin

Model
All

Group
8

Subject: Sealing Rings for A/C System

Part Identifier
8701

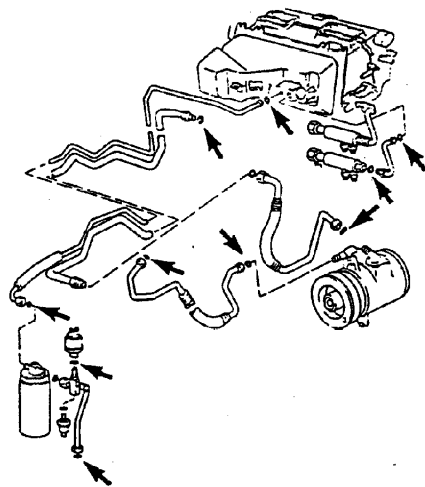
Number
9205

Parts Information:

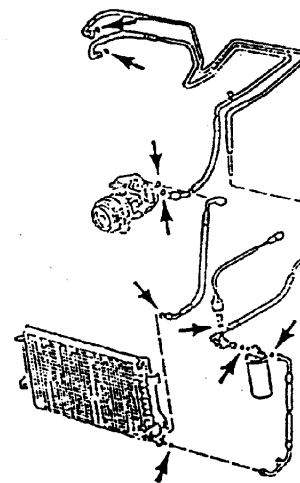
The part numbers of the old "o" rings and the part numbers of the corresponding new "o" rings are listed below.

Old Version		New Version
928 570 635 00	to	999 707 284 40
928 573 635 02	to	999 707 250 40
928 573 636 02	to	999 707 247 40
928 573 637 02	to	999 707 251 40
928 573 637 03	to	999 707 252 40
431 260 749 A	to	999 707 261 40

Note: The "o" rings should be coated with refrigeration oil before fitting.



928



968 and 944

Note: Illustrations are for general knowledge of the A/C system layout. Always consult the latest parts microfiche when ordering parts.

PORSCHE CARS NORTH AMERICA INC.

